

# DKL



D 1



**D1-units** have an elegant and timeless design. These units thrill with their simple technology and all their functions are easy to control, which allows you to work efficiently. Precise workmanship and top quality ensure maximum operational safety.



# D1 - SOLO



The comfort upholstery, available in many colours, allows the patient to lie in a relaxed position, even during longer treatments. Maximum legroom is ensured. When the chair is moved for the patient to comfortably get on or off, the entire foot rest is automatically moved down.



Optionally, the chair can be equipped with one or two arm rests.



The double-jointed head rest can be moved freely to any position.



The joystick at the base of the chair is used to move the chair up or down manually and adjust the back rest. With a double tap on the joystick the programme functions can be activated.



With the five programme keys on the back rest, various positions can be stored and activated individually.

# D1 - Prophylaxis

Particularly suited for ergonomic treatment without assistance!



The **D1-Prophylaxis** model optimises the ergonomic treatment without assistance required for prophylaxis. With the **D1-Prophylaxis-AIR** model the instruments and the suction hoses are on the swivelling doctor's device. It just takes one touch! The doctor's device can either be positioned on the doctor's side or on the assistant's side. The instruments are driven by a simple air-control system.



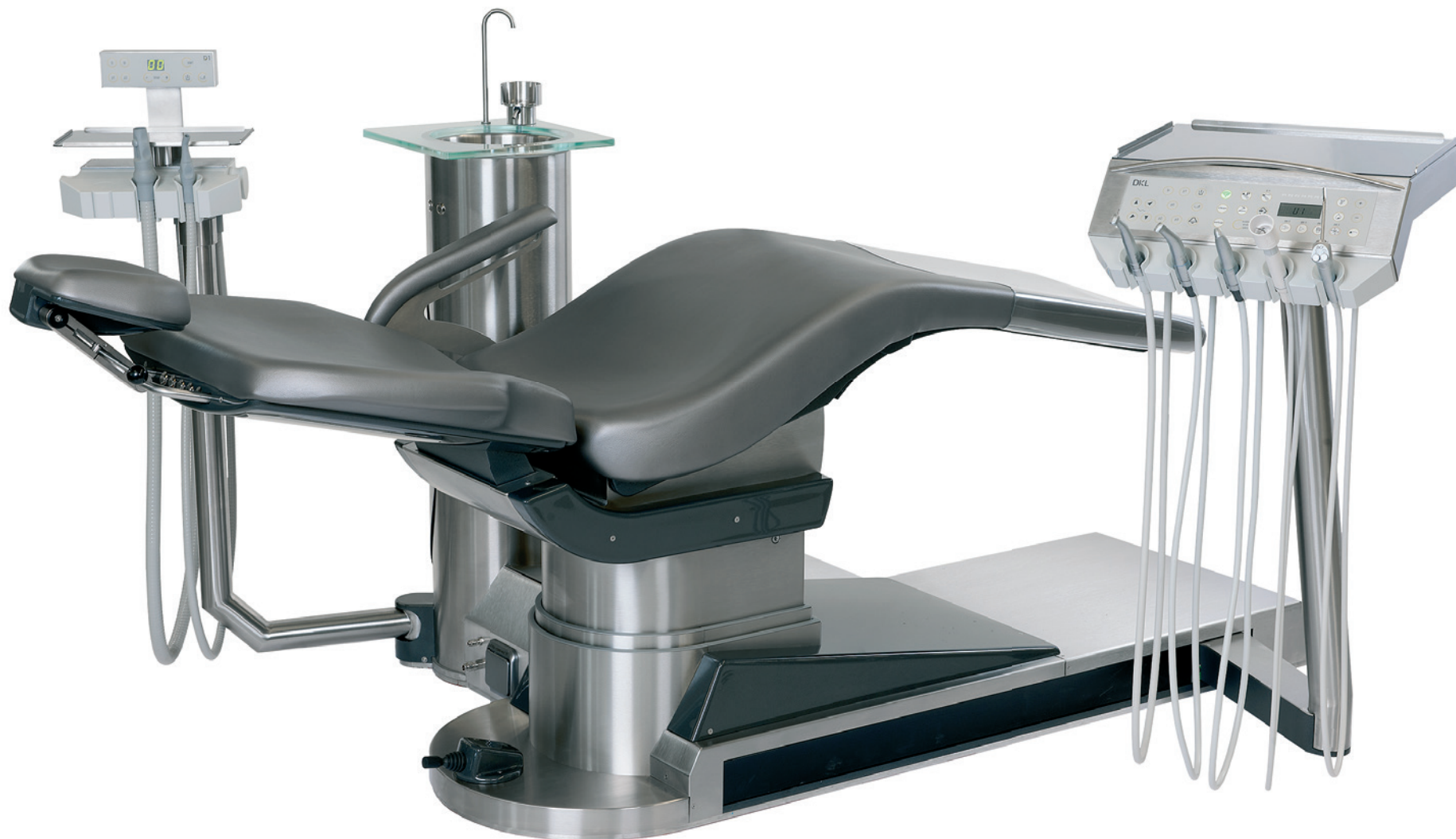
The doctor's device can be equipped with a 3-function syringe and two turbine connections for attaching turbines, air motors, an air scaler and a powder jet device – instruments that are characterized by their durability and sturdiness.



With this treatment unit prophylaxis becomes a real pleasure. Its unique selling points are its absolutely timeless design and simple elegance.



The maintenance-free bottle-care system is an independent water supply for the instruments and the cup filler in accordance with EN 1717, providing intensive decontamination of the water lines in the dental unit as well as the removal of biofilm.



D1 - EP





Our **D1-EP** model on a travel track is a compact unit. It provides you with a convenient and easy to operate workplace, ensuring a smooth and ergonomic workflow.

The doctor's device can be equipped with a manual or motorized travel track.



The motorized travel track is operated and moved into the right position by means of a foot controller. The instruments can be activated via a Bluetooth foot controller.



The doctor's device can be equipped with 6 instruments, brushless 100-40,000 rpm LED micromotors, a turbine connection, a Piezo scaler and a function syringe. The EM-12 L electric motor is small but mighty. It is suitable for restoration and prosthetics as well as for endodontics and prophylaxis. The extremely small electric motor is the perfect synergy of ergonomics and performance.



Additionally, an "ImplantMED" implantology motor (up to 70 N/cm) and a peristaltic pump can be integrated into the doctor's devices. Torque and speed are selected via the implantology dialogue. The motor can be sterilized. The endo-function for the EM-12 L motor offers support during root canal preparation. Torque and speed of the files can be controlled via seven programmes.



The movable assistant's device facilitates teamwork. It can be positioned flexibly anywhere between the patient's head and the cuspidor.

# D1 - EC





Do you prefer mobility?

The **D1 unit** with the doctor's device as a cart version meets your preferences. It can easily be moved to any desired treatment position, and after the treatment you can move it out of your or your patients' way. The instruments can be activated via a Bluetooth foot controller.

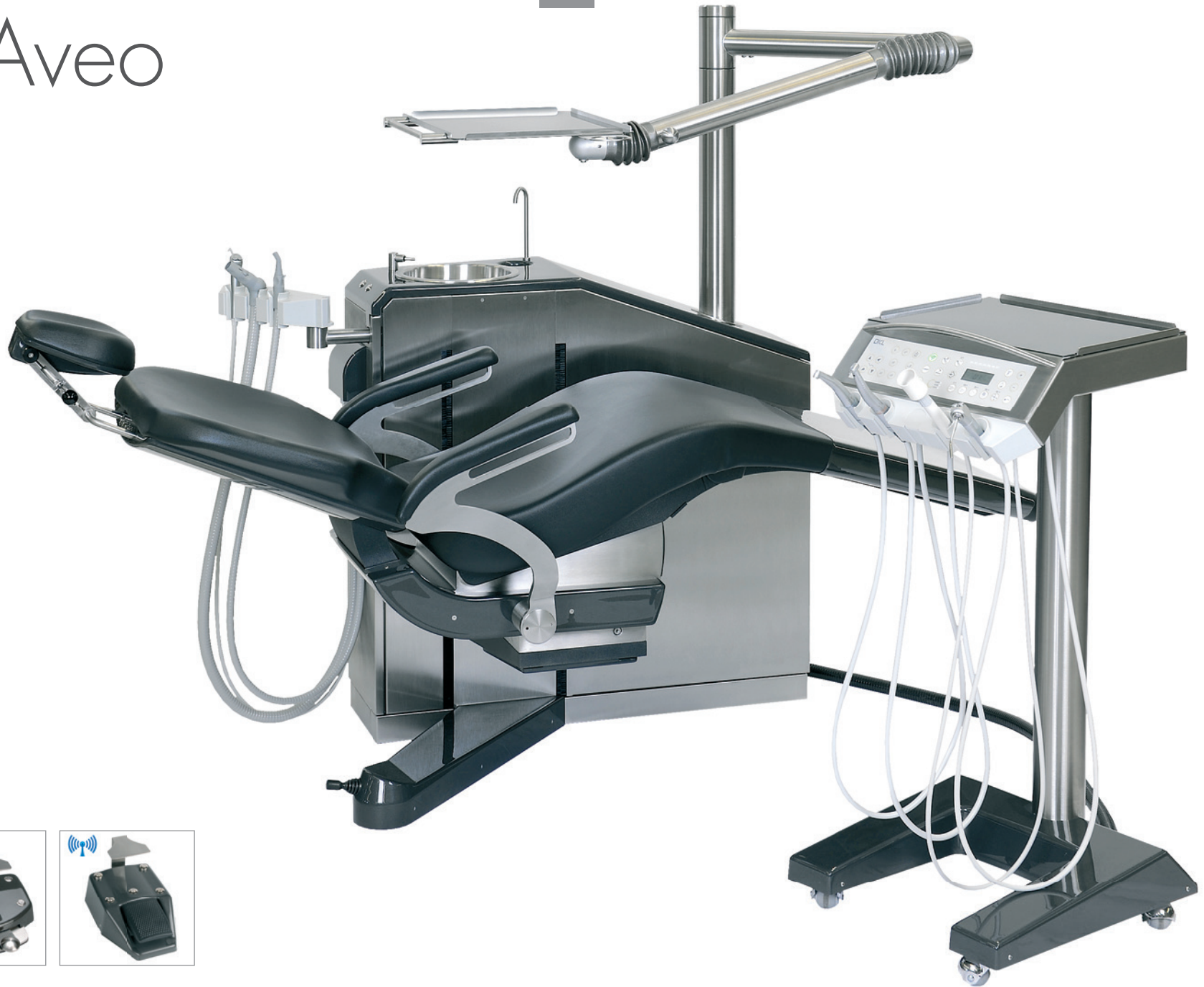
The doctor's device can be equipped with 6 instruments, brushless 100-40,000 rpm LED-micromotors, a turbine connection, a Piezo scaler and a function syringe. The EM-12 L electric motor is small but mighty. It is suitable for restoration and prosthetics as well as for endodontics and prophylaxis. The extremely small electric motor is the perfect synergy of ergonomics and performance.

Additionally, an "ImplantMED" implantology motor (up to 70 N/cm) and a peristaltic pump can be integrated into the doctor's devices. Torque and speed are selected via the implantology dialogue. The motor can be sterilized. The endo-function for the EM-12 L motor offers support during root canal preparation. Torque and speed of the files can be controlled via seven programmes.

The movable assistant's device facilitates teamwork. It can be positioned flexibly anywhere between the patient's head and the cuspidor.

It is only possible to position the patient optimally if he or she feels safe when the chair is moved. There is always a clear connection between optimal positioning and optimal treatment. Thanks to the synchronised movement of seat and back rest there is no stretching or compression effect for the patient's spine. The head of the patient always remains in the same position. It is not necessary to readjust the head rest when the treatment position is changed. When the chair is moved to the position where the patient gets on or off, the foot rest of the chair is lowered automatically. For patients with restricted mobility this function facilitates access to the treatment chair.

# Aveo







Due to its extreme motion sequences, the **AVEO** model is ideally suited for working in a standing position. This way, even tall persons giving treatment to short patients and vice versa can work in a relaxed ergonomic posture. The **AVEO** offers maximum legroom. The doctor's device as a cart version can easily be moved to any desired treatment position, and after the treatment you can move it out of your and the patient's way. The instruments can be activated via a Bluetooth foot controller.



The doctor's device can be equipped with 6 instruments, brushless 100-40,000 rpm LED micromotors, a turbine connection, a Piezo scaler and a function syringe. The EM-12 L electric motor is small but mighty. It is suitable for restoration and prosthetics as well as for endodontics and prophylaxis. The extremely small electric motor is the perfect synergy of ergonomics and performance.



Additionally, an "ImplantMED" implantology motor (up to 70 N/cm) and a peristaltic pump can be integrated into the doctor's devices. Torque and speed are selected via the implantology dialogue. The motor can be sterilized. The endo-function for the EM-12 L motor offers support during root canal preparation. Torque and speed of the files can be controlled via seven programmes.



The movable assistant's device facilitates teamwork and optimises treatment without assistance. It can be positioned flexibly anywhere between the patient's head and the cuspidor.



It is only possible to position the patient optimally if he or she feels safe when the chair is moved. There is always a clear connection between optimal positioning and optimal treatment. Thanks to the synchronised movement of seat and back rest there is no stretching or compression effect for the patient's spine. The head of the patient always remains in the same position. It is not necessary to readjust the head rest when the treatment position is changed. When the chair is moved to the position where the patient gets on or off, the foot rest of the chair is lowered automatically. For patients with restricted mobility this function facilitates access to the treatment chair.

# Astrum





Due to its extreme motion sequences, the **ASTRUM** model is ideally suited for working in a standing position. This way, even tall persons giving treatment to short patients and vice versa can work in a relaxed ergonomic posture. The **ASTRUM** offers maximum legroom. The doctor's device as a floating table version can be positioned flexibly.



The doctor's device can be equipped with 5 instruments, brushless 100-40,000 rpm LED micromotors, a turbine connection, a Piezo scaler and a function syringe. The EM-12 L electric motor is small but mighty. It is suitable for restoration and prosthetics as well as for endodontics and prophylaxis. The extremely small electric motor is the perfect synergy of ergonomics and performance. The instruments can be activated via a Bluetooth foot controller.



Additionally, an "ImplantMED" implantology motor (up to 70 N/cm) and a peristaltic pump can be integrated into the doctor's devices. Torque and speed are selected via the implantology dialogue. The motor can be sterilized. The endo-function for the EM-12 L motor offers support during root canal preparation. Torque and speed of the files can be controlled via seven programmes.



The movable assistant's device facilitates teamwork and optimises treatment without assistance. It can be positioned flexibly anywhere between the patient's head and the cuspidor.



It is only possible to position the patient optimally if he or she feels safe when the chair is moved. There is always a clear connection between optimal positioning and optimal treatment. Thanks to the synchronised movement of seat and back rest there is no stretching or compression effect for the patient's spine. The head of the patient always remains in the same position. It is not necessary to readjust the head rest when the treatment position is changed. When the chair is moved to the position where the patient gets on or off, the foot rest of the chair is lowered automatically. For patients with restricted mobility this function facilitates access to the treatment chair.

# Allecto





Due to its extreme motion sequences, the **ALLECTO** model is ideally suited for working in a standing position. This way, even tall persons giving treatment to short patients and vice versa can work in a relaxed ergonomic posture. The **ALLECTO** offers maximum legroom. The whip-arm style doctor's device can be positioned optimally.



The instruments are perfectly balanced. With the whip arms you have all the instruments you need at your fingertips and without any exertion.



The doctor's device can be equipped with 5 instruments, brushless 100-40,000 rpm LED-micromotors, a turbine connection, a Piezo scaler and a function syringe. The EM-12 L electric motor is small but mighty. It is suitable for restoration and prosthetics as well as for prophylaxis. The extremely small electric motor is the perfect synergy of ergonomics and performance.



The movable assistant's device facilitates teamwork and optimises treatment without assistance. It can be positioned flexibly anywhere between the patient's head and the cuspidor



It is only possible to position the patient optimally if he or she feels safe when the chair is moved. There is always a clear connection between optimal positioning and optimal treatment. Thanks to the synchronised movement of seat and back rest there is no stretching or compression effect for the patient's spine. The head of the patient always remains in the same position. It is not necessary to readjust the head rest when the treatment position is changed. When the chair is moved to the position where the patient gets on or off, the foot rest of the chair is lowered automatically. For patients with restricted mobility this function facilitates access to the treatment chair.

The unusual design of **DKL treatment units** is not their only captivating feature. The materials used in their production reflect the clinically hygienic state of your practice and thus convey a high degree of practice hygiene. Even after years of intensive use, the smooth stainless-steel surfaces and the thermally disinfestable instrument retainers keep their good looks. They provide no breeding ground for bacteria. With its robust and inert surface, stainless-steel meets the highest demands. Its resistance to chemical AND mechanical strain, combined with effective cleaning and disinfection systems, ensures constant quality, hygiene and aesthetics. Stainless steel sustainably contributes to reducing the risk of infection for patients and practice staff.

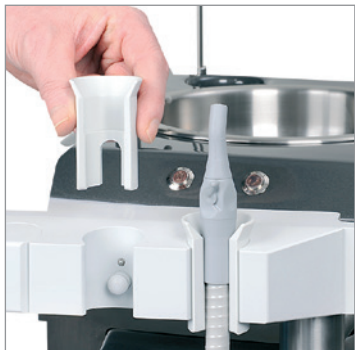


You place great emphasis on germ-free surfaces? – We have just what you need!

# Hygiene



The thermally disinfectable instrument retainers at the doctor's and assistant's devices are easy to remove, which increases the protection from cross-contamination for both your practice team and your patients.



With the convenient hygiene cover it is possible to flush and clean the water lines fast and automatically by simply pressing the "clean"-key at the beginning and end of each treatment day.



The suction filters are within easy reach and can be cleaned effortlessly. The cuspidor with its bowl made of glass and stainless steel meets all hygiene requirements. The bowl and the filters are easy to clean.



The maintenance-free bottle-care system is an independent water supply for the instruments and the cup filler in accordance with EN 1717, providing intensive decontamination of the water lines in the dental unit as well as the removal of biofilm.

Processed tap water or drinking water can be used for the treatment. The water lines are disinfected on a weekly basis and during the holiday period.

Alternatively, and in accordance with EN 1717 and EN 13077, the units can be equipped with an automatic water decontamination system separating the service water from the public water supply. This system minimizes the formation of biofilm in the water lines of the dental unit. The materials used for the tubing comply with the RKI directive according to the German DVGW code of practice W270.



The ergonomic concept can be rounded off by some additional features. The extremely flat and freely positionable tray enables optimal work processes. The **LED.light** operating lamp guarantees a perfect view of the operating area.



The dimmable **LED.light** thrills with its light intensity (8,000-50,000 LUX with a colour temperature of 5,000 Kelvin) and its even light field. Its handles can be removed to be sterilised. The operating lamp features a mirror, which can be turned if necessary.



For your individual needs, an extractable doctor's device in a cabinet is also available with the **D1**-chair for treatment from behind the chair – with or without an integrated suction system.



The doctor's/assistant's chair with manual release features an anatomically shaped edge of the seat, thus automatically providing comfortable seating. The rotatable back rest can also be used as an arm rest. The chair is available in two different heights: 54 - 73 cm and 46 - 58 cm.





In the chair base, optional connections for water, air and a 230 V max. 3 A socket can be selected for external devices.



The holder at the tray is a practical accessory for attaching a waste-cup.



All-in-one PC attached to the treatment unit. On request we can supply you with just the holder, compliant with VESA-standard.



Precise workmanship and high-grade materials ensure maximum operational safety. Rated for a maximum patient load of 140 kg.



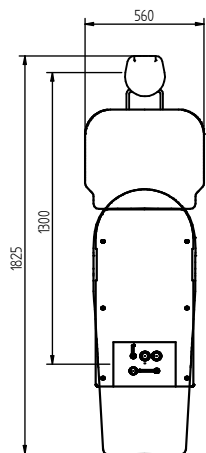
The comfort upholsteries of our **FashionLine**, **TrendLine** and **ProLine** collection are produced in more than sixty attractive colours. There is something for everyone! The high-grade materials are processed on ergonomic foam and thus guarantee your patients highest comfort.

D1-Units

Compact

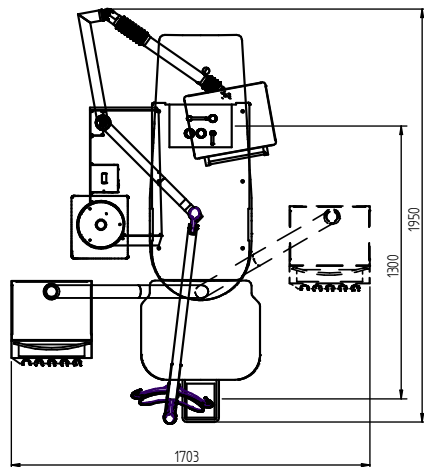
Timeless

Elegant



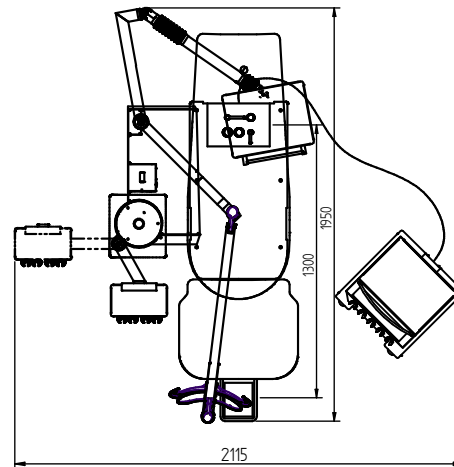
This dimension sheet shows the **D1-SOLO** model.

Lowest position: 395 mm  
Highest position: 730 mm



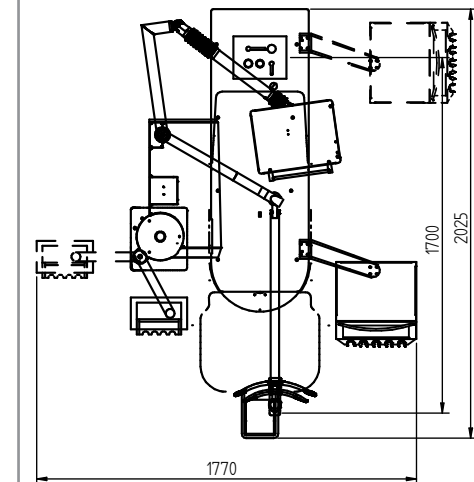
This dimension sheet shows the **D1-Prophylaxis-AIR** model.

Lowest position: 395 mm  
Highest position: 730 mm



This dimension sheet shows the **D1-EC** model.

Lowest position: 395 mm  
Highest position: 730 mm



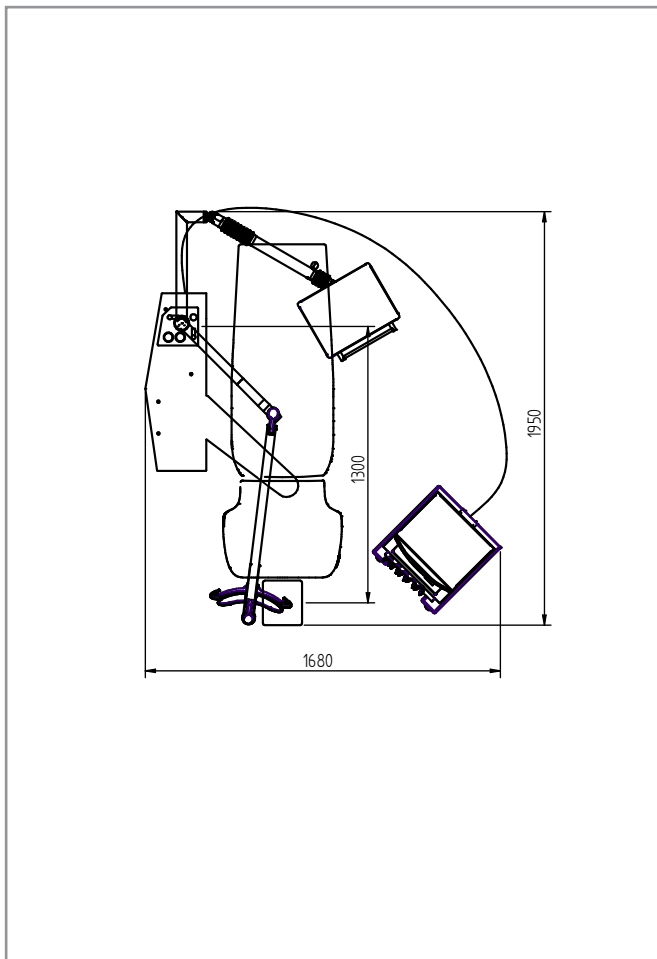
This dimension sheet shows the **D1-EP** model.

Lowest position: 395 mm  
Highest position: 730 mm

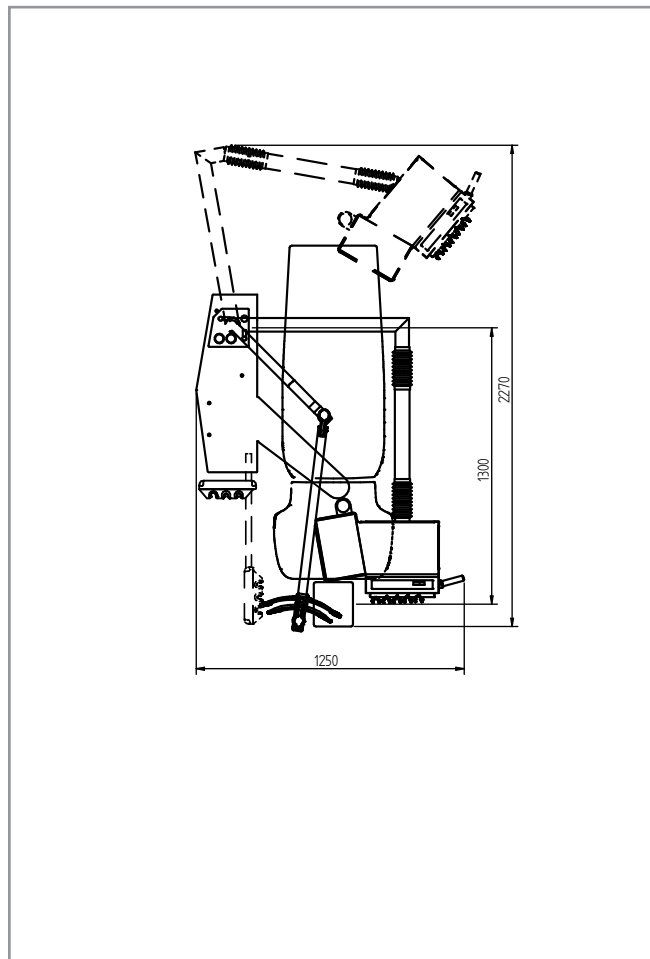
Ergonomic

High-Grade

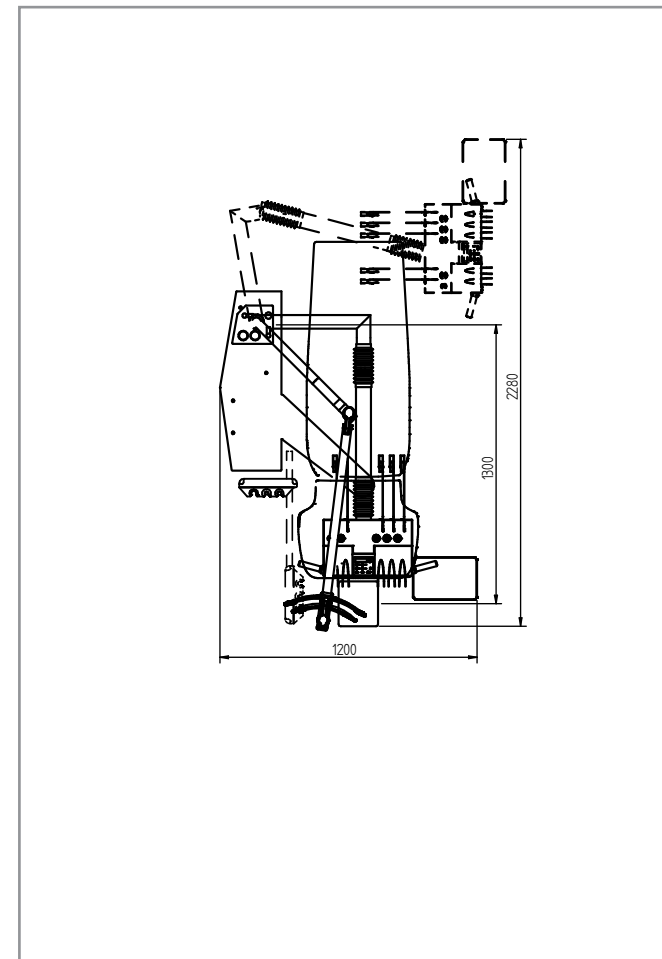
Perfect



This dimension sheet shows the **AVEO** model.  
 Lowest position: 370 mm  
 Highest position: 880 mm



This dimension sheet shows the **ASTRUM** model.  
 Lowest position: 370 mm  
 Highest position: 880 mm

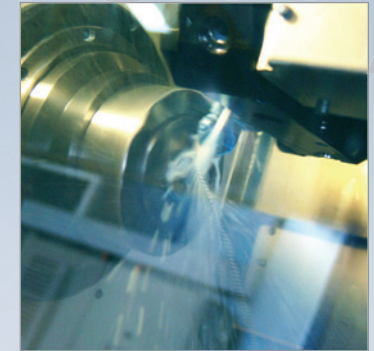
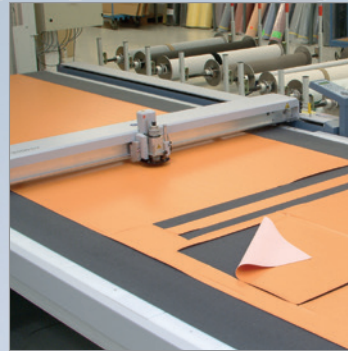
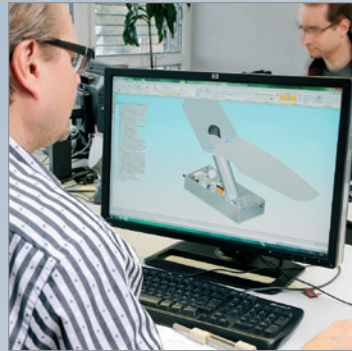


This dimension sheet shows the **ALLECTO** model.  
 Lowest position: 370 mm  
 Highest position: 880 mm

## High-grade materials for high-grade products

Made in Germany – This seal of quality stands for products of outstanding value and quality and we maintain these high quality standards. In manufacturing our treatment units we use high-grade and sturdy materials. The units are exclusively developed and manufactured in Rosdorf near Göttingen.

Made in Germany



DKL CHAIRS GmbH

An der Ziegelei 1+3 · D-37124 Rosdorf

+49 551-50 06 0

+49 551-50 06 296

[www.dkl.de](http://www.dkl.de) · [export@dkl.de](mailto:export@dkl.de)

